

# HabaCHAIN<sup>®</sup> Snap-on 963T (Straight)

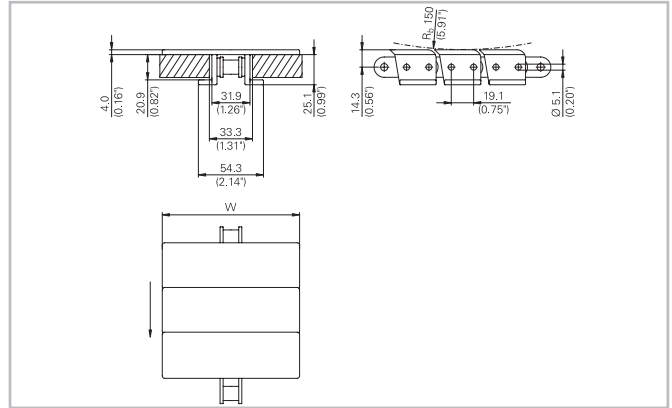


Your Source For Habasit  
Belting And Chain

www.StilesEnterprises.com • 1-800-325-4232

## Description

Snap-on 963T is a tabbed heavy duty straight running only snap-on chain. It is a two piece system that has a metallic 3/4" pitch 1873 roller chain with snap-on plastic top plates. Top plate thickness 4.0 mm. Applications include packaging and high load/speed applications.



## Chain Data

Habasit code	Width W		Weight		Nominal tensile strength F <sub>N</sub>		Material
	mm	inch	kg/m	lb/ft	N	lbf	
C0963S0250DPTA	63.5	2.50	2.10	1.41	4000	900	DP
C0963S0250LFTA	63.5	2.50	2.10	1.41	4000	900	LF
C0963S0325DPTA	82.6	3.25	2.19	1.47	4000	900	DP
C0963S0325LFTA	82.6	3.25	2.19	1.47	4000	900	LF
C0963S0450DPTA	114.3	4.50	2.37	1.59	4000	900	DP
C0963S0450LFTA	114.3	4.50	2.37	1.59	4000	900	LF
C0963S0500DPTA	127.0	5.00	2.41	1.62	4000	900	DP
C0963S0500LFTA	127.0	5.00	2.41	1.62	4000	900	LF
C0963S0750DPTA	190.5	7.50	2.71	1.82	4000	900	DP
C0963S0750LFTA	190.5	7.50	2.71	1.82	4000	900	LF
C0963S1000DPTA	254.0	10.00	3.17	2.13	4000	900	DP
C0963S1000LFTA	254.0	10.00	3.17	2.13	4000	900	LF

## Base chain:

- Standard material is CS
- Stainless steel (suffix + SS) on request: Max. workload 2000 N (450 lbf)
- Nomenclature for base chain only:
  - C1873B0075CS
  - C1873B0075SS
- Standard packaging: 3.048 m = 10ft ( including one connecting link)
- The weight specification is indicative
- Other top plate material available on request
- Driven by standard #60 series roller chain sprockets

For further information and availability please contact your local Habasit partner.